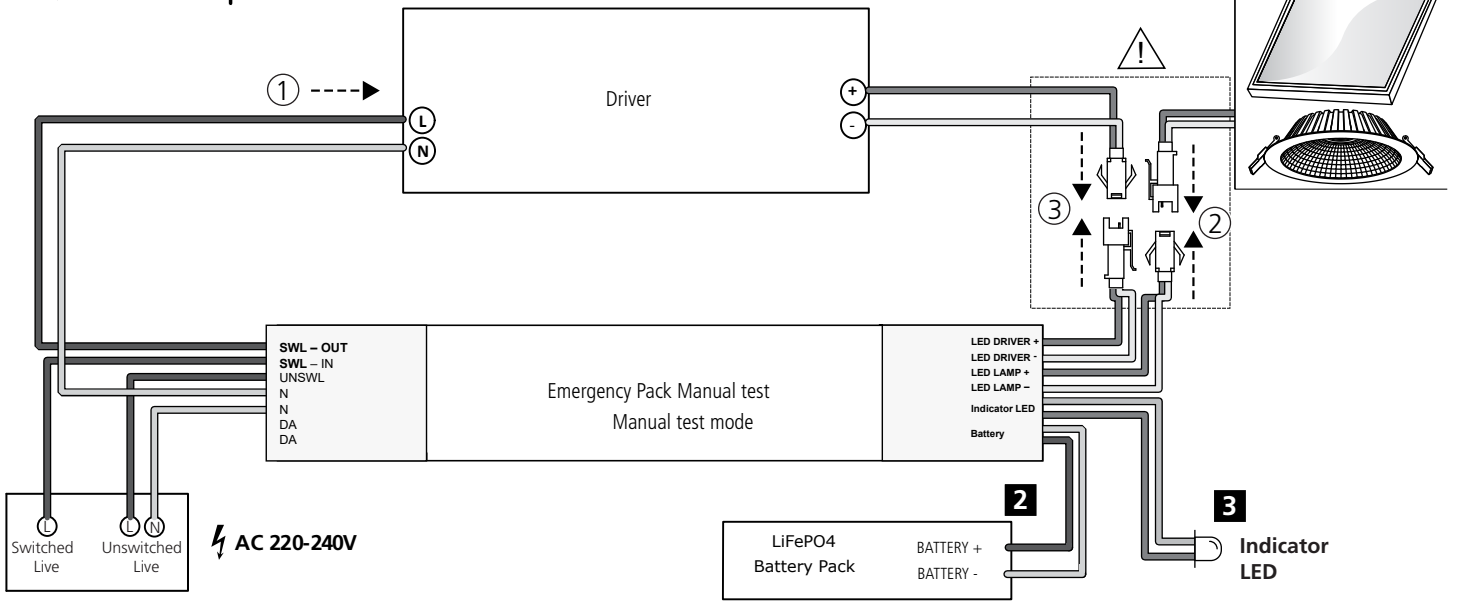
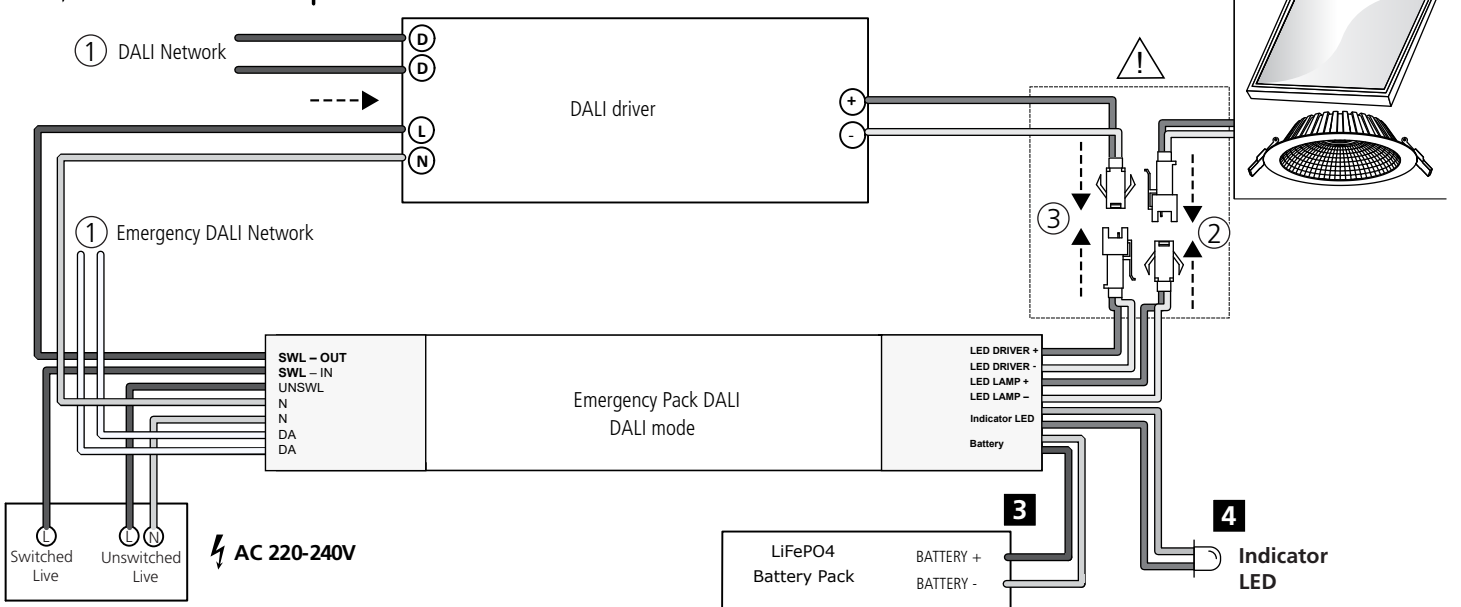


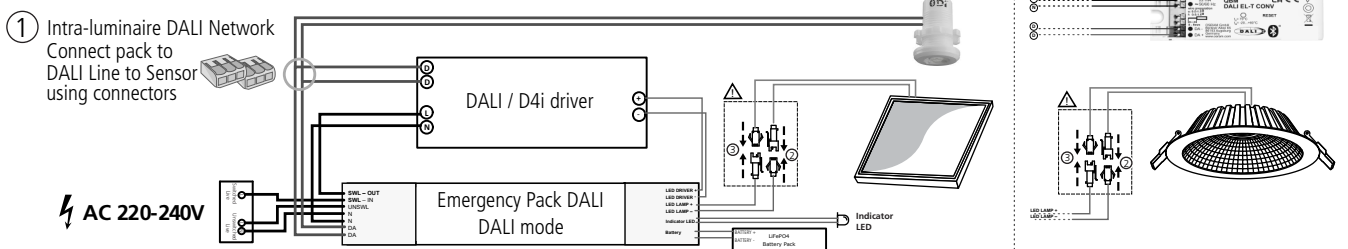
1a ⚡ AC 220-240V + 🚶



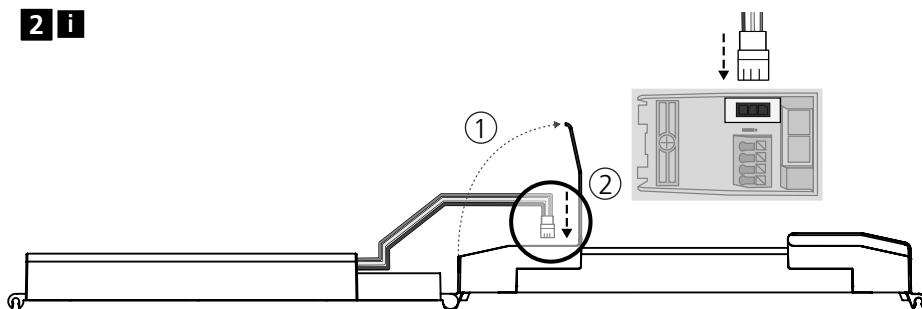
1b ⚡ AC 220-240V + DALI + 🚶



1c ⚡ AC 220-240V + SSA Sensor/Controller+ 🚶



2 i

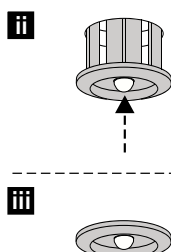
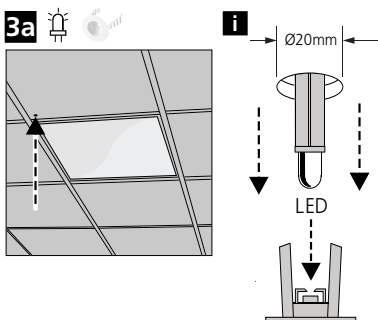


2 ii

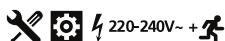
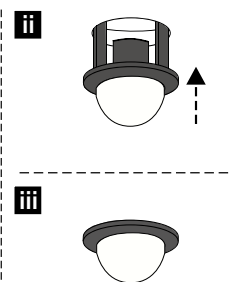
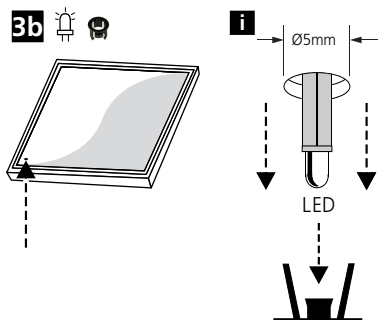
JAN	FEB	MAR	APR
MAY	JUN	JUL	AUG
SEP	OCT	NOV	DEC
2010	2011	2012	2013
2014	2015	2016	2017
2018	2019	2020	2021

COMMISSIONING DATE

3a

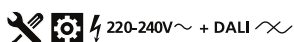


3b



220-240V~ + ⚡

LED INDICATION		STATUS		COMMENT
LED Colour	Status	Flashing		
		ON	OFF	
Green		∞		✓ Normal / Charging battery
			∞	⚠ Off / Battery fault / Emergency Mode / Standby



220-240V~ + DALI

LED INDICATION		STATUS		COMMENT
LED Colour	Status	Flashing		
		ON	OFF	
Green		∞		✓ System OK / Standby Mode / Commissioned
		0.1 sec	0.1 sec	Functional Test in Progress
		1.0 sec	1.0 sec	Duration Test in Progress / Commissioning in progress
		0.5 sec	4.0 sec	Inhibit mode (initiated by DALI controller)
Red		∞		⚠ Open circuit / Short circuit / LED failure / Lamp fault
		0.1 sec	0.1 sec	⚠ Charging failure
		1.0 sec	1.0 sec	⚠ Battery failure (including failed DT/FT)
Red/Green			∞	⚡ Emergency Mode



Code	Description	V _{out}	Connector	Type
9146600	LSF EM PACK MT 6-54V LIFEP04 3H 3W	6-54	N	N/A
9146601	LSF EM PACK DAST 6-54V LIFEP04 3H 3W	6-54	N	N/A
9146602	LSF EM PACK MT 6-54V LIFEP04 3H 3W RC	6-54	Y	C2501-SM2A
9146603	LSF EM PACK DAST 6-54V LIFEP04 3H 3W RC	6-54	Y	C2501-SM2A
9146604	LSF EM PACK MT 50-300V LIFEP04 3H 3W RC	50-300	Y	C2501-SM2A
9146605	LSF EM PACK DAST 50-300V LIFEP04 3H 3W RC	50-300	Y	C2501-SM2A